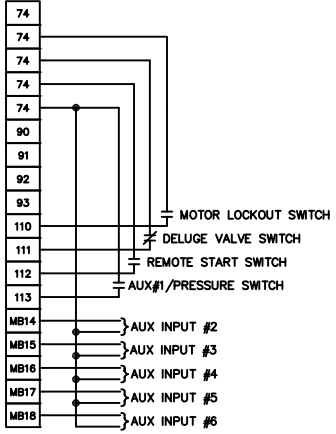
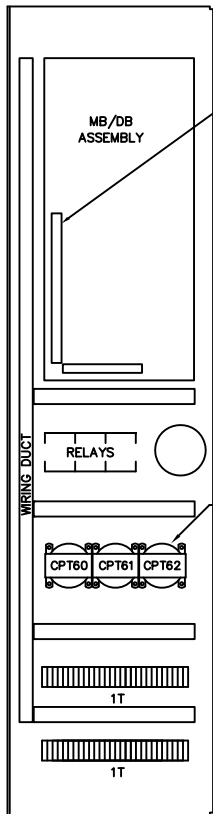
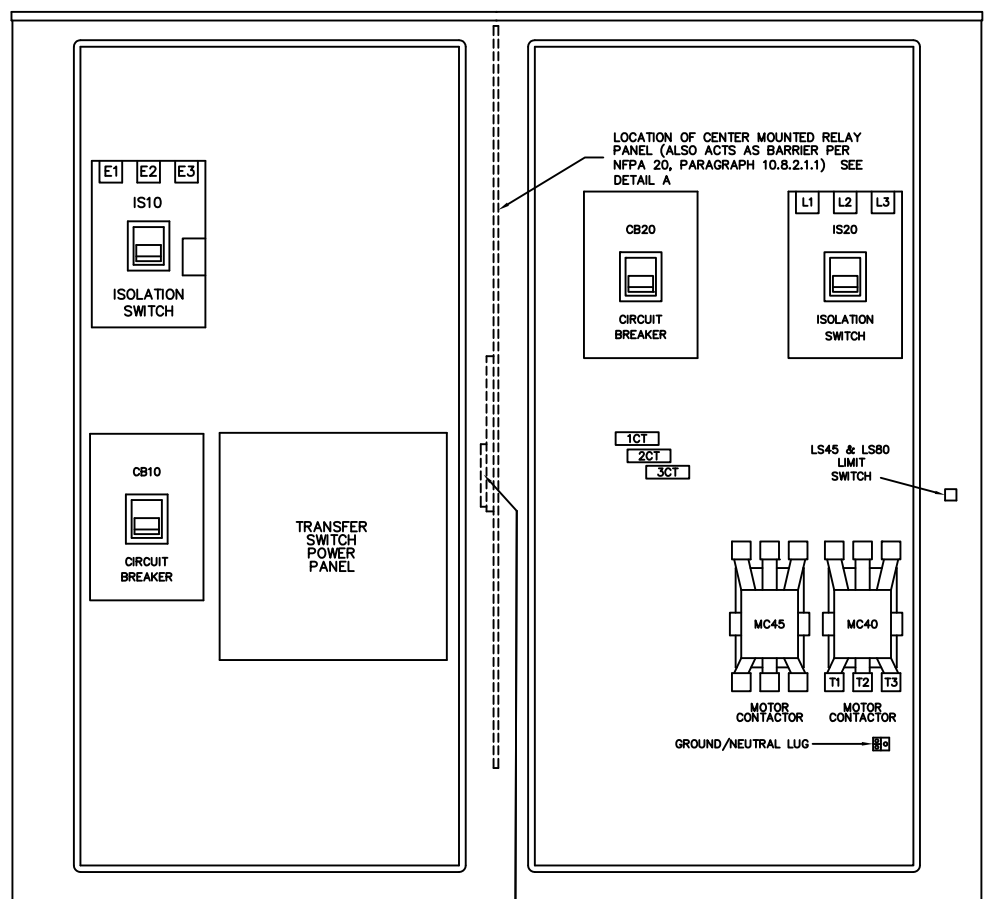


1T*
FIELD
TERMINALS



- DB54 } NO CONTACT, OPENS ON LOSS OF POWER
- DB53 } NC CONTACT, CLOSSES ON LOSS OF POWER
- DB52 }
- DB51 } NO CONTACT, CLOSSES ON PHASE REVERSAL
- DB50 } NC CONTACT, OPENS ON PHASE REVERSAL
- DB48 }
- DB48 } NO CONTACT, CLOSSES ON PUMP RUNNING
- DB47 } NC CONTACT, OPENS ON PUMP RUNNING
- DB46 }
- DB45 } NO CONTACT, OPENS ON CONTROLLER NOT IN AUTO
- DB44 } NC CONTACT, CLOSSES ON CONTROLLER NOT IN AUTO
- DB43 }
- DB42 }
- DB41 }
- DB40 }
- DB38 } NO CONTACT, CLOSSES ON EMERG. ISO SW/CB OPEN
- DB38 } NC CONTACT, OPENS ON EMERG. ISO SW/CB OPEN
- DB37 }
- DB36 }
- DB35 }
- DB34 }
- DB33 } NO CONTACT, CLOSSES ON AUX #4 ALARM
- DB32 } NC CONTACT, OPENS ON AUX #4 ALARM
- DB31 }
- DB30 } NO CONTACT, CLOSSES ON AUX #5 ALARM
- DB29 } NC CONTACT, OPENS ON AUX #5 ALARM
- DB28 }
- DB27 } NO CONTACT, CLOSSES ON AUX #6 ALARM
- DB26 } NC CONTACT, OPENS ON AUX #6 ALARM
- DB25 }
- DB24 } NO CONTACT, CLOSSES ON AUX #7 ALARM
- DB23 } NC CONTACT, OPENS ON AUX #7 ALARM
- DB22 }
- DB21 } NO CONTACT, CLOSSES ON AUX #8 ALARM
- DB20 } NC CONTACT, OPENS ON AUX #8 ALARM
- DB19 }
- DB18 } NO CONTACT, CLOSSES ON AUX #9 ALARM
- DB17 } NC CONTACT, OPENS ON AUX #9 ALARM
- DB16 }



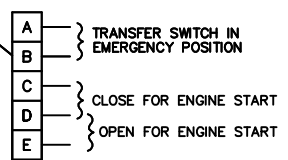
DETAIL A
CENTER MOUNTED
RELAY PANEL

DAUGHTERBOARD
TERMINALS

NOTES:

1. FIELD TERMINALS ACCEPT COPPER WIRE ONLY RATED 90°C OR HIGHER
2. FIELD TERMINALS ARE LOCATED AT THE LEFT SIDE AND BOTTOM OF OF THE DAUGHTER BOARD

DB30 INDICATES DAUGHTERBOARD TERMINAL



	VOLTS AC					PRIMARY WIRE SIZE	
	200V	208V	220V - 240V	380V - 415V	440V - 480V	LINE TERMINAL WIRE SIZE PER PHASE	SERVICE ENTRANCE GROUND LUG WIRE SIZE
MAXIMUM MOTOR HORSEPOWER	25 HP	25 HP	30 HP	50 HP	60 HP	#14-1/0 AWG	(2) #10-1/0 AWG
	40 HP	40 HP	50 HP	75 HP	100 HP	#4-4/0 AWG	(2) #10-1/0 AWG
	60 HP	75 HP	75 HP	125 HP	150 HP	#4-350 MCM	(2) #10-1/0 AWG
	100 HP	125 HP	125 HP	150 HP		(2) #3/0-2500 MCM	(2) #10-1/0 AWG
	150 HP	150 HP	150 HP			(2) #3/0-350 MCM	(2) #6-250 MCM

DRAWN	RA	11/09/04	 METRON A Division of Hubbell ICD, Inc. 4301 Cheyenne Dr., Archdale, NC 27263
CHECK	SB	11/30/04	
APPD	M.L.	12/02/04	
INTERNAL LAYOUT & EXTERNAL HOOKUP MODEL MP400-PRIMARY RESISTANCE START WITH AUTOMATIC TRANSFER SWITCH ELECTRIC FIRE PUMP CONTROLLER			OPTIONS: CH33709F SCALE NTS SHEET 1 OF 1